

FIG5. KLIKOVÁ SKŘIŇ			
Sr.	Parts No.	Description	Qty.
	111310-J8600	RIGHT CRANKCASE ASSY	1
	211322-J8600	STUD BOLT	2
	311353-J0200	ALIGNMENT PIN	2
	411301-J0200	BUSHING	2
	511302-J0201	GASKET	1
	67DM28-M6x50-C	BOLT	2
	711320-J8600	LEFT CRANKCASE ASSY	1
	811452-J5900	NUT	1
	911307-J8600	STUD BOLT	2
	106301 GB/T276-94	BEARING	1
	116004-2RS/C3 GB/T276-94	BEARING	1
	1211323-J0200	OIL SEAL	1
	1311324-J0200	OIL SEAL	1
	146002 GB/T276-94	BEARING	1
	1511328-J0200	BUSHING	1
	1611303-J0200	WASHER	1
	1711304-J0200	PLUG SCREW OIL DRAIN	1
	1811305-J0200	PIPE	1
	1911306-J8600	PIN	1
	207D17-J7-7.5-1.5	O-RING	1

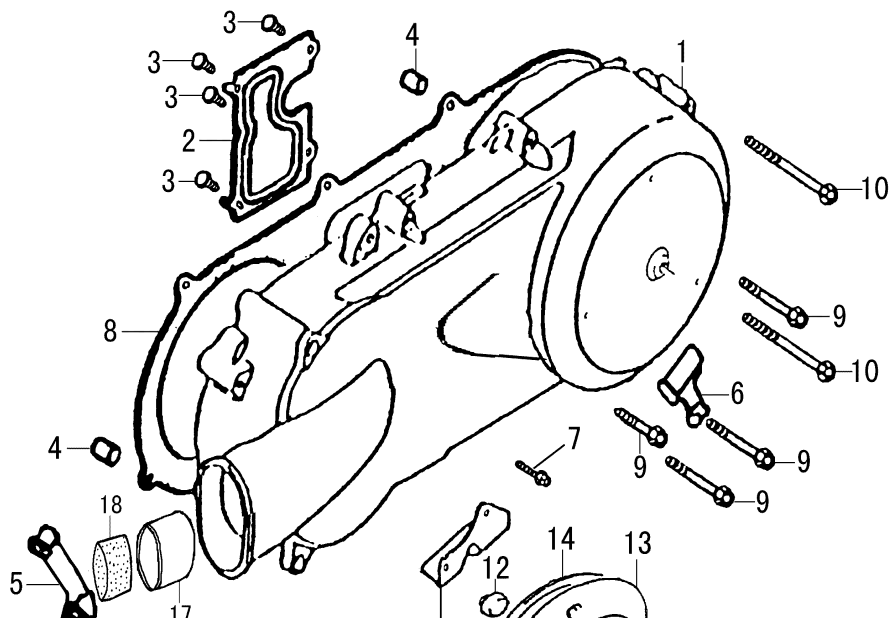


FIG6. KRYT MOTORU LEVY			
Sr.	Parts No.	Description	Qty.
1	11341-J8601	COVER, LEFT CRANKCASE	1
2	11347-J0200	GUIDE PLATE	1
3	GB818-85 M4x8-Zn.DC	SCREW	4
4	11353-J0200	ALIGNMENT PIN	2
5	11360-J0200	CLIP	1
6	11345-J0200	CLIP, BRAKE	1
7	7DM28-M6x12-J	BOLT	1
8	11482-J8601	GASKET	1
9	7DM28-M6x40-J	BOLT	5
10	7DM28-M6x65-J	BOLT	2
11	7DM28-M6x50-J	BOLT	1
12	150003-J16	RUBBER	1
13	11343-J8601	CAP	1
14	150002-J16	RING	1
15	GB823-88 M5x12-Zn.DJ	SCREW	3
16	26301-J8600	STOPPER HOLDER	1
17	17161-H1900	INTAKE PIPE	1



























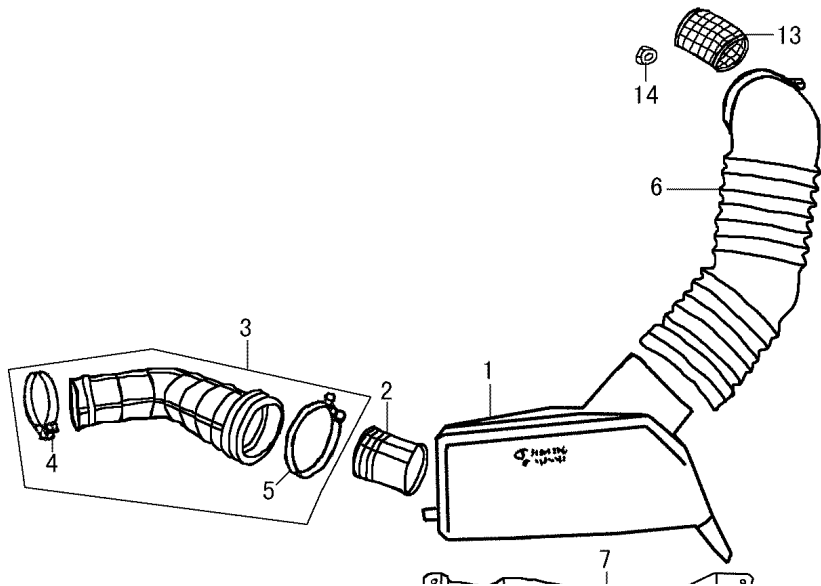


FIG19 VZDUCHOVY FILTR

Sr.	Parts No.	Description	Qty.
1	13810-H1900	SECOND AIR BOX	1
2	13831-H0300	TUBE□OIL	1
3	13881-H1900	AIR DUCT TO CARBURETTOR	1
4	T752-48001	CLAMP,DUCT	1
5	T752-62001	CLAMP,DUCT	1
6	13821-H0300	AIR DUCT,	1
7	13840-H1900	BRACKET	1
8	02142-06163	SCREW	2
9	T292-06001	WASHER	1
10	13851-H1900	BUSHING	1
11	GB818-85 M6x35-Zn.DJ	SCREW	1
12	GB5787-86 M6x20-Zn.DJ	SCREW□SECOND AIR BOX	1
13	13790-H0300	AIR FILTERS	1
14	GB6177-86M6-6-ZN.DJ	BOLT	1





















































